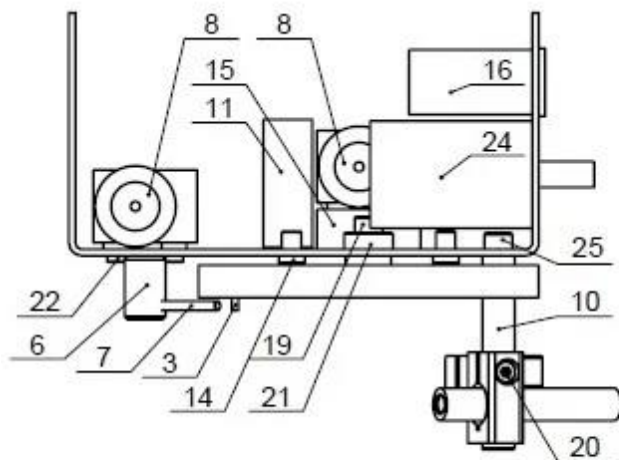


# AGS BRASS ANNEALER 3.1 PARTS



Position	Qty	Name	Dimensions/ Standard
1	1	Rotating plate	
2	2	Ball bearing	61900-2RS
3	10	Dowel pin	2x7 mm
4	1	Rotating plate shaft	
5	2	Ball bearing ball	0.125"
6	1	Rotating axle	
7	1	Lever handle	
8	2	Electric motor DC	JGY-370
9	1	Case rotor	
10	1	Torch holder axle	
11	1	Slider (discontinued)	
12	1	Torch holder A	
13	1	Annealer housing	
14	2	Bearing ball holder	
15	1	Motor mountig block	
16	1	Power switch	
17	1	DC power connector	5.5x2.1 mm
18	1	Torch holder B	
19	1	Allen screw	M5x10 DIN912
20	1	Allen screw	M4x30 DIN912
21	1	Axle clamp	
22	4	Screw	M3x6 DIN7984
23	2	Screw	M3x6 DIN912
24	1	PWM Controller	
25	1	Allen screw	M6x10 DIN912

